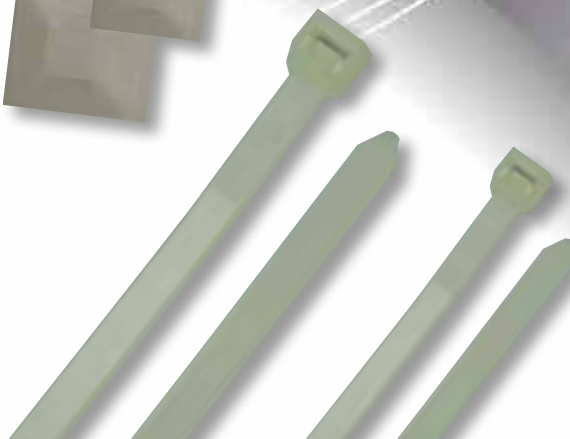




# CABLE TIES



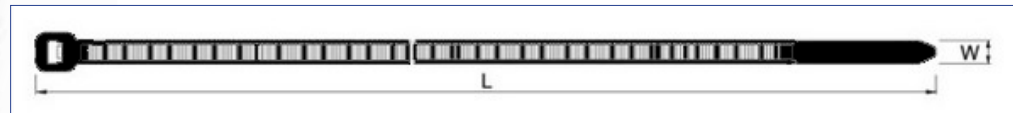
Fleet Cable Ties are engineered and manufactured to meet or exceed industry standards to guarantee maximum reliability.

Internal serrations allow for a positive hold onto cable and pipe bundles. The design of the head guarantees a high tensile strength while allowing a very low insertion force.



All Fleet Cable Ties are Manufacturer Certified TS16949 / ISO9001.

## BLACK - UV STABILISED



Part No.	Length (mm)	Width (mm)	Min Loop Tensile Strength	Pack Qty
CT10025-20	100	2.5	8.1 kg	20
CT14036-20	140	3.6	18.2 kg	20
CT20048-20	200	4.8	22.2 kg	20
CT30048-20	300	4.8	22.2 kg	20
CT37048-20	370	4.8	22.2 kg	20
CT37076-20	368	7.6	54.4 kg	20
CT10025-100	100	2.5	8.1 kg	100
CT14036-100	140	3.6	18.2 kg	100
CT20048-100	200	4.8	22.2 kg	100
CT30048-100	300	4.8	22.2 kg	100
CT30076-100	300	7.6	22.2 kg	100
CT37048-100	370	4.8	22.2 kg	100
CT37076-100	368	7.6	54.4 kg	100
CT38013-100	380	13	114 kg	100
CT43048-100	430	4.8	22.2 kg	100
CT48013-100	480	13	114 kg	100
CT53090-100	526	9	79.4 kg	100
CT54076-100	533	7.6	54.4 kg	100
CT58013-100	580	13	114 kg	100
CT83090-100	815	9	79.4 kg	100
CT102090-100	1020	9	79.4 kg	100
CT122090-100	1220	9	79.4 kg	100
CT153090-100	1530	9	79.4 kg	100

## ASSORTED PACKS

Fleet's assorted cable tie pack consists of 1000 Black, UV Stabilised Cable Ties in an attractive Fleet zip up carry bag consisting of the following sizes and quantities:-

**Part No.** CTK (Black - UV) or CTKN (Natural)

Contains	Length	Width	Qty
CT10025	100	2.5	200
CT14036	140	3.6	200
CT20048	200	4.8	400
CT30048	300	4.8	200





## NATURAL - NON UV STABILISED



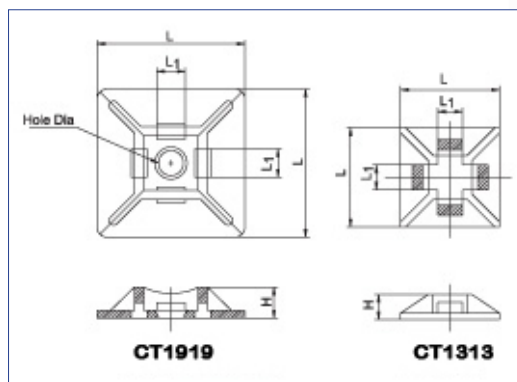
Part No.	Length (mm)	Width (mm)	Min Loop Tensile Strength	Pack Qty
CT10025-100N	100	2.5	8.1 kg	100
CT14036-100N	140	3.6	18.2 kg	100
CT20048-100N	200	4.8	22.2 kg	100
CT30048-100N	300	4.8	22.2 kg	100
CT30076-100N	300	7.6	22.2 kg	100
CT37048-100N	370	4.8	22.2 kg	100
CT37076-100N	368	7.6	54.4 kg	100
CT38013-100N	380	13	114 kg	100
CT43048-100N	430	4.8	22.2 kg	100
CT48013-100N	480	13	114 kg	100
CT53090-100N	526	9	79.4 kg	100
CT54076-100N	533	7.6	54.4 kg	100
CT58013-100N	580	13	114 kg	100
CT83090-100N	815	9	79.4 kg	100
CT102090-100N	1020	9	79.4 kg	100
CT122090-100N	1220	9	79.4 kg	100
CT153090-100N	1530	9	79.4 kg	100

## CABLE TIE MOUNTS - SELF ADHESIVE

Fleet's self adhesive cable tie mounts are simple to install and are designed to offer the maximum surface area, and in conjunction with the specially developed adhesive, ensures that a very high pull-off force is achieved.

These self adhesive cable tie mounts offer a 4-way entry for the cable tie enabling quicker and more flexible installation.

Fleet's self adhesive cable tie mounts are the most convenient and easiest installation of cable ties and can be used in many industries from agriculture to truck manufacture.



Part No.	Style (mm)	Square (mm)	Height (mm)	Hole Dia (mm)	Pack Qty
CT1313-100	Black UV	12.7	3.2	3.2	100
CT1919-100	Black UV	19	4.4	4	100
CT1313-100N	Natural	12.7	3.2	3.2	100
CT1919-100N	Natural	19	4.4	4	100



**HEAD OFFICE:**

Auto Parts (Aust.) Pty Ltd  
1/195 Jackson Road,  
Sunnybank Hills QLD 4109

Tel: 1300 306 781

Fax: 1300 306 784

Email: [sales@hplunds.com.au](mailto:sales@hplunds.com.au)